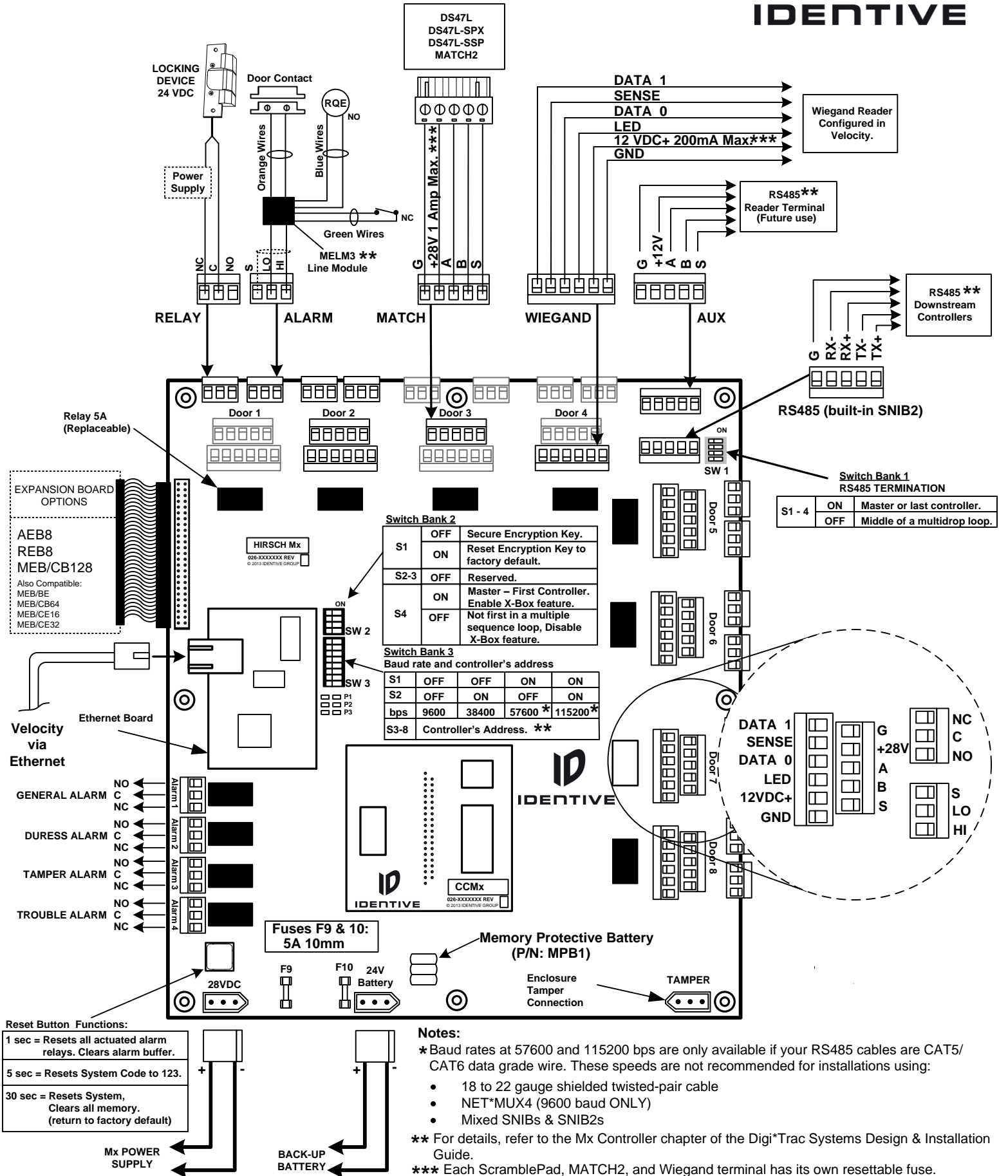


HIRSCH Mx Controller

Quick Installation Guide



IDENTIVE



Reset Button Functions:

1 sec	= Resets all actuated alarm relays. Clears alarm buffer.
5 sec	= Resets System Code to 123.
30 sec	= Resets System, Clears all memory. (return to factory default)

Notes:

- * Baud rates at 57600 and 115200 bps are only available if your RS485 cables are CAT5/ CAT6 data grade wire. These speeds are not recommended for installations using:
 - 18 to 22 gauge shielded twisted-pair cable
 - NET*MUX4 (9600 baud ONLY)
 - Mixed SNIBs & SNIB2s
- ** For details, refer to the Mx Controller chapter of the Digi*Trac Systems Design & Installation Guide.
- *** Each ScramblePad, MATCH2, and Wiegand terminal has its own resettable fuse.